

LightFORCE[®]

USER INSTRUCTIONS



STRIKER

LED DRIVING LIGHTS

LIGHTFORCE.COM

STRIKER LED INSTALLATION INSTRUCTIONS

DIY TWIN PACK WITH INSTALLATION KIT CONTENTS

- 2 x Striker LED driving lights
- 2 x Spot filters
- 2 x Reversible mount and hardware
- 1 x User instructions
- 1 x DIY harness installation kit
 - 1 x Driving light harness
 - 1 x HB3 patch harness
 - 1 x H4 patch harness
 - 1 x Switch loom
 - 1 x Screw for relay installation
 - 4 x T-taps for wires (2 sizes)
 - 4 x Spare crimps for custom wiring
 - 6 x Spade terminals (2 sizes)
 - 10 x Cable ties.

TOOLS AND CONSUMABLES REQUIRED

- Spanner to access battery terminals
- Ratchet with 3 inch extension
- 17mm deep and shallow socket
- Pointy nose pliers
- Wire cutters
- Drill
- 12mm drill bit
- Phillips head driver bit
- Torch (recommended)
- Torque Wrench (recommended).

TOOLS AND CONSUMABLES REQUIRED FOR NON-STANDARD INSTALLATIONS

- 12mm socket
- Crimping tool.

FASTENER TORQUE SPECIFICATIONS

M10 x 35mm bottom and side mount bolt - 35Nm (26lb-ft).

IMPORTANT NOTES

1. Mounting points vary in design and load capacity, ensure the weight of the light (1kg per light with mount) is within manufacturer's recommended weight specifications before fitment.
2. Failure to correctly mount a light may cause damage to the light and your vehicle.

Visit lightforce.com/installations to view instructional videos.

STRIKER LED INSTALLATION INSTRUCTIONS

TECHNICAL SPECIFICATIONS

- Power: 60 Watts
- Distance to 1 lux (pair): 754m
- Distance to 1 lux (single): 533m
- Input voltage range: 10 – 30V
- Current draw: 4.4 Amps @ 13.2V
- Colour temperature: 5000K
- LED estimated lifespan: 50,000 hours
- Operating temperature: -40° to 63°C
- Weight: 1kg (including mounting).

FEATURES

- Made in Australia
- 15 x high quality Lumileds LEDs providing consistent high performance
- LED spot reflectors with the ability to use modular filters to produce a wide driving light beam pattern or flood diffusion filter for work light environment
- IP68 and IP69K resistant to water and dust ingress
- 75mm slim footprint for multiple mounting options
- Reverse polarity voltage protection and high current waterproof connectors
- PCB designed with reduced electro magnetic interference
- CE certified
- Thermal overload protection protects the light from overheating
- Hard wearing UV stable powdercoat finish
- High pressure diecast aluminium housing and bezel providing strength and weight reduction
- Impact resistant polycarbonate filter for added protection
- Genuine Gore® waterproof membrane with mechanical seal
- 3 year warranty.

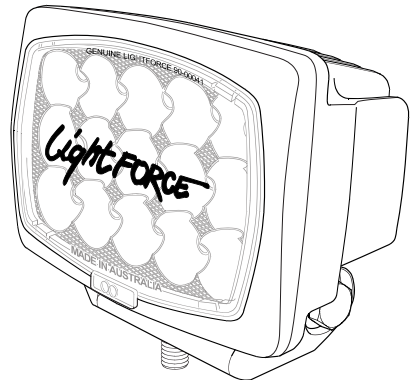
GENERAL CARE AND SAFETY TIPS

To wash your lights, use plenty of warm soapy water and a soft cloth only (this prevents surfaces from marking). Never use any solvent based cleaners or industrial detergents when cleaning these lights as permanent damage may occur.

PERSONAL SAFETY WARNING

WARNING: High intensity light source.

Do not look directly into the light during operation, eye injury may result.



STRIKER LED INSTALLATION INSTRUCTIONS

Fig 1. Driving Light Harness

1. 40 amp Relay
2. Insulated sleeved wires
3. Battery connector (negative)
4. Battery connector (positive)
5. 15 amp fuse
6. Driving light connectors
7. High beam pickup wire with bullet terminal (negative)
8. High beam pickup wire with bullet terminal (positive)
9. Dashboard switch loom connector
10. Dash illumination cable (optional).

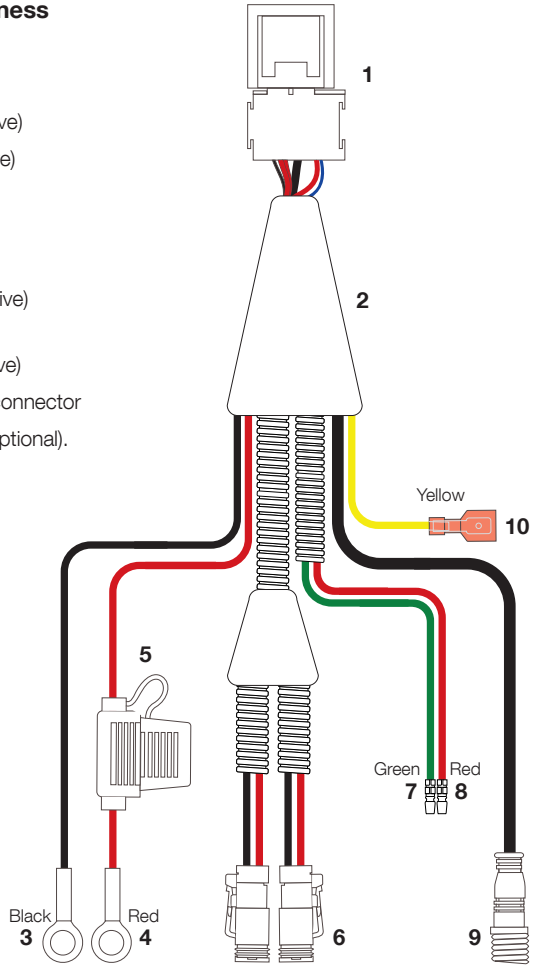


Fig 2. Screw for fixing relay



Fig 3. Connectors for non-standard installations



T-taps for wires



Insulated male spade terminals



Un-insulated male spade terminal

STRIKER LED INSTALLATION INSTRUCTIONS

STEP 1. MOUNT THE LIGHTS

1. Install the driving lights onto a suitable mounting surface
2. Remove the nyloc nut and M10 washer from M10 x 35mm bolt attached to the bottom of mounting bracket
3. Locate the bracket in a suitable position using the M10 x 35mm bolt. It is recommended that the base area of the mounting bracket is totally supported
4. Align the light to preferred driving position
5. Fit the washer and M10 nyloc nut, then tighten using a 17mm socket and ratchet to specified torque (35Nm). Do not use rattle guns
6. Tighten 2 x M10 x 35 side bolts to recommended torque (35Nm).

WIRING HARNESS INSTALLATION

STEP 2. INSTALL THE RELAY AND CONNECT THE LIGHTS

1. Remove the main ground wire from the negative battery terminal. **WARNING:** This may result in loss of radio security code and clock settings. Please consult your owner's manual before disconnecting
2. Mount the 40 amp relay (see figure 1) in a suitable place within the engine bay, using the screw supplied (figure 2) and your drill with a Phillips head driver bit. Ensure that the red (positive) and black (negative) ring terminals reach the appropriate battery terminals. **DO NOT CONNECT TERMINALS TO THE BATTERY AT THIS STAGE**
3. Route the insulated sleeved wires that run from the relay to the driving light connectors to each of your installed Striker LED Driving Lights and connect the driving light connectors to the back of each light. Ensure that cables do not touch the radiator or come in contact with any sharp edges
4. Secure all excess wire to the vehicle with cable ties supplied.

STEP 3. CONNECT PATCH HARNESS TO HEADLIGHT CONNECTOR

1. Select the HB3 or H4 patch harness (refer to your vehicle's owner's manual and figures 4 and 5 below) to determine which is correct) and connect it to a headlight connector on your vehicle. If your headlights are a type other than HB3 or H4, see item 3 below.
2. Connect the high beam pickup wires on the driving light harness to the patch harness, red to red, green to green.
3. NOTE: if you are installing into a vehicle with headlights that are NOT HB3 or H4, you will need to remove the bullet terminals on the red and green high beam pickup wires on the driving light harness (see figure 1) and crimp each wire into a blue insulated male spade terminals using a crimping tool. Then clamp the provided t-taps to the high beam wires on one of the vehicle's headlights. Use the red or blue t-taps depending on the wire diameter. Finally, connect the blue insulated male spade terminals into the t-taps on the harness.

Fig 4. HB3 patch harness

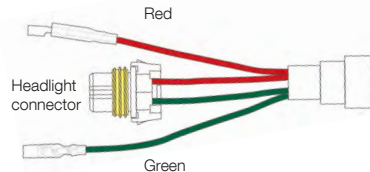
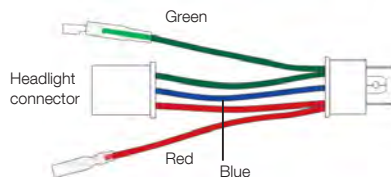


Fig 5. H4 patch harness



STRIKER LED INSTALLATION INSTRUCTIONS

STEP 4. INSTALL THE DASH SWITCH

1. Find a suitable place on the dash to mount the dash switch.
2. Disconnect the spade terminals at the back of the dash switch (refer to figure 7 below)
3. Unscrew the plastic nut from the rear of the dash switch
4. Carefully drill a hole for the dash switch using a 12mm drill bit.
5. Push the dash switch through the hole, re-fit the plastic nut and reconnect the spade terminals to the dash switch according to the switch wiring diagram in Figure 6.

STEP 5. CONNECT THE DASHBOARD SWITCH LOOM

1. Route the dashboard switch loom connector (on the driving light harness) carefully through the vehicle's firewall using pointy nose pliers to pull the cable through. A torch will help you to see what you are doing. Be careful to avoid crushing the connector. Ensure the wires are kept away from any heat sources
2. Connect the dashboard switch loom connector on the driving light harness (see item 1, figure 1) to the dashboard switch loom pictured in Figure 7 below. Note that this standard switch illuminates only when turned on.

If you are using a different switch with dash illumination (not included), connect the dash illumination cable (on the switch loom) to your switch, as directed by the user instructions for the switch.

STEP 6. CONNECT TO THE BATTERY

1. Connect the ring on the red wired battery connector to the positive battery terminal using a spanner
2. Connect the ring on the black wired battery connector to the negative battery terminal using a spanner.

STEP 7. SECURE CABLES

1. Use the supplied cable ties to secure all loose cables and remove excess using wire cutters.

STEP 8. TEST

1. Turn on the ignition and test correct light operation by switching on your high beam. Ensure the lights only activate when switched to high beam.

Fig 6. Dash switch wiring (front view)

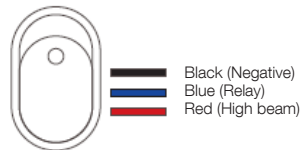


Fig 7. Dashboard switch loom



STRIKER LED ACCESSORIES

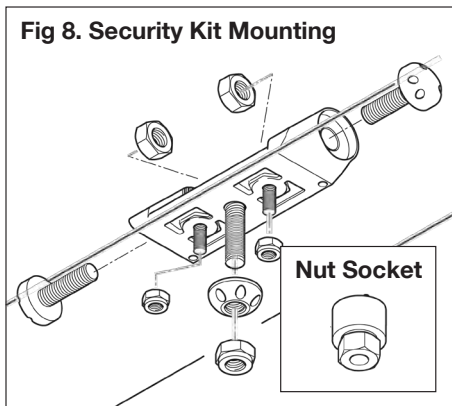
SECURITY KIT (ATNSG2)

Simple-to-install security bolts and nuts help protect your investment against theft. This kit contains 4 x M10 x 35mm anti-theft bolts plus 2 x M10 security nuts for the mounting bolts, both with corresponding coded keys requiring a 17mm, 11/16" spanner.

All bolts are machined from 304 stainless steel. The key will only fit the anti-theft bolts/nuts in one position. Coded key is machined from steel with zinc protective coating.

INSTRUCTIONS FOR SECURING LIGHT TO MOUNTING BRACKET USING THE SECURITY KIT

1. Remove the standard M10 bolts and washers from each side of the existing mounting bracket and fit the anti-theft bolts using the security nut socket, reusing the existing washers
2. Remove the standard M10 nyloc nut and replace with anti-theft nyloc nuts as per the diagram below.



DRIVING LIGHT FILTERS

Durable polycarbonate covers should remain fitted to driving lights at all times. Capable of absorbing road grime and bombardment for many years, these replaceable covers should be renewed from time to time to protect your investment and maintain maximum output.

Your Striker LED lights come standard with clear spot filters (STRIKERFCS).

Clear combo (STRIKERFCC) and clear flood (STRIKERFCF) filters are also available and can be used to achieve a wider driving light beam pattern or diffused flood of light.

STAINLESS STEEL BRACKET

This stainless steel bracket (STRIKERLEDBKT) is supplied with an M10 x 35mm coach head bolt with a nut and washer. These can be used to mount a Striker LED vertically or horizontally to any solid surface and allows the user more flexibility in directing the light.

TUBE MOUNTING BRACKETS

Lightforce supplies a variety of tube mounting brackets to allow you to easily mount your Striker LEDs to common nudge and roll bars.

SINGLE STRIKER LED

Lightforce supplies single Striker LED Driving Lights (DLSTRIKERLEDX1) which are packaged with a spot filter, a reversible mount and hardware, user instructions and a 2 pin waterproof connector.

The 2 pin waterproof connector allows the single Striker LED to be wired into a Lightforce Driving Light Harness.

Please consult the user instructions provided with the single Striker LED for more information on installation.

LightFORCE®

**For warranty information and to register your product for
warranty purposes, visit lightforce.com/warranty**

LIGHTFORCE AUSTRALIA PTY LTD

11 Manton Street, Hindmarsh SA 5007 Australia

www.lightforce.com • Email: sales@lightforce.com

Australia Telephone: 08 8440 0888 | Fax: 08 8346 0504

International Telephone: +61 8 8440 0888 | Fax: +61 8 8346 0504

All logos and images are subject to relevant trademark and copyright protection Lightforce Pty Ltd. Copyright © 2018. Data and specifications contained maybe subject to change without notice. Lightforce Australia Pty Ltd shall not be liable for damage, malfunction, failure resulting from accident, misuse, misapplication, unauthorised repair, neglect, modification, unauthorised or non standard replacement parts, accessories, bulbs, batteries or voltage or operation of the product beyond its technical and or environmental specification.