

## Genesis Lighting System Spare Parts and Accessories

DLSB210 Anti Theft Kit for cross bolt  
 ATN10MM Anti Theft Kit for mounting bolt  
 MBS Modular Stay Bracket

### Replacement Bulbs

GL02 Halogen Bulb  
 GL20 HID Bulb - 3200K Ion yellow  
 GL21 HID Bulb - 4200K / 35W  
 GI22 HID Bulb - 5000K / 35W  
 GL27 HID Bulb - 5000K / 50W

### Optional Filters

F210C Spot Clear  
 F210CC Combo Clear  
 F210WC Wide Clear  
 F210CB Spot Crystal Blue  
 F210CCB Combo Crystal Blue  
 F210WCB Wide Crystal Blue  
 F210Y Spot Yellow  
 F210CY Combo Yellow  
 F210WY Wide Yellow  
 C210BLK Black opaque (solid)

For extended accessories and spare parts please contact your local Lightforce dealer or email [info@lightforce.net.au](mailto:info@lightforce.net.au)

## Specifications

### Operating Voltage (at light)

#### Halogen

12V Light - 14VDC MAXIMUM

#### HID

35W / 12V Light - 9-16VDC,  
 12.8VDC Typ  
 35W / 24V Light - 21-29VDC,  
 25.6VDC Typ  
 50W / Multi Voltage 12V-24VDC

### Recommended Wire Size

2.0mm<sup>2</sup> (14AWG) MINIMUM

### Mounting Fastener Torque Specifications

M10 x 40mm Bottom mount bolt - 70Nm (50lb-ft)

M10 x 110mm Cross-bolt - 40Nm (30lb-ft)

### Recommended Operating Temperature (ambient)

40°C (104°F) MAXIMUM

Head Office: Australian & International enquiries

### LIGHTFORCE AUSTRALIA

28 Ormond Street  
 Hindmarsh SA 5007  
 Australia

Tel: 08 8440 0888 Int'l Tel: +61 8 8440 0888

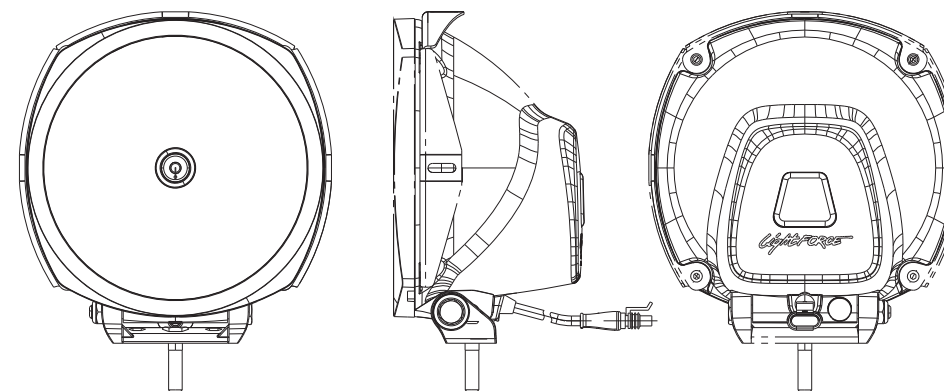
Fax: 08 8346 0504 Int'l Fax: +61 8 8346 0504

[lightforce.com](http://lightforce.com)

[info@lightforce.net.au](mailto:info@lightforce.net.au)



**LightFORCE™**  
 PERFORMANCE LIGHTING



**GENESIS**  
 MODULAR LIGHTING SYSTEM

## WARRANTY TERMS AND CONDITIONS

### AUSTRALIA

LIGHTFORCE AUSTRALIA warrants to the PURCHASER that this product shall be free from defects in design, materials and workmanship, except as otherwise set forth herein, for a period of 3 years from the date of purchase. The onus of proof of the date of purchase shall lie upon the PURCHASER and if the PURCHASER cannot establish the purchase date by the appropriate documentary evidence, the purchase will be deemed to have taken place in excess of 3 years from the date upon which the defect occurred. The sole obligation of LIGHTFORCE AUSTRALIA shall be the repair or (at the absolute option of LIGHTFORCE AUSTRALIA) the replacement of the defective product or part. LIGHTFORCE AUSTRALIA shall have no other liability to the PURCHASER for any consequential loss including but not limited to loss of income, compensation for personal injury, or injury to property.

### INTERNATIONAL

Please consult place of purchase. PLEASE NOTE globes and batteries are not covered by warranty. A dated receipt of proof of purchase must be provided. All warranties express or implied of merchantability, fitness for a particular purpose and other warranties of whatever kind are, to the extent permitted by law, hereby disclaimed. Claims under this warranty must be made in writing addressed to LIGHTFORCE AUSTRALIA Pty. Ltd., shall be not be liable for damage, malfunction, failure resulting from accident, misuse, misapplication, unauthorised repair, neglect, modification, unauthorised or non standard replacement parts, accessories, globes, batteries or voltage or the operation of the Product beyond its technical and environmental specifications. The PURCHASER acknowledges that local laws may prohibit the use of some of the Product on motor vehicles travelling on public roads and agrees that it is his/her responsibility to ascertain the effect of local laws.

## USER INSTRUCTIONS

100

95

75

25

5

0

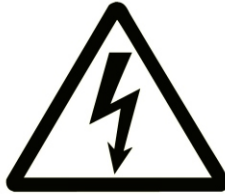
## INSTRUCTION DATA

PRODUCT: **GENESIS LIGHT**  
VER: **7.2**  
DATE: **SEPTEMBER 2011**



## User Instructions – Genesis Lighting Systems

### SAFETY NOTES



### High voltage (HID MODELS)

**ALWAYS DISCONNECT POWER BEFORE DISASSEMBLY OF LIGHT**  
**ALWAYS WEAR SAFETY GLASSES WHEN HANDLING ANY BULB**

**READ ALL INSTRUCTIONS BEFORE COMMENCING INSTALLATION**

### Box Contents

1 x Genesis Light	1 x Lightforce Sticker
1 x Clear Filter (fitted to light)	1 x Lightforce Portable Lighting Catalogue
1 x Bottom Mount Bracket	2 x M10 SS Nylock Nut
1 x M10 x 40mm SS Bolt	1 x User Instructions
1 x M10 x 110mm SS Bolt	1 x Loom Adapter
2 x M10 SS Washers	

### General Care and Safety Tips

**CAUTION: NEVER USE ANY SOLVENT BASED CLEANERS OR INDUSTRIAL DETERGENTS WHEN CLEANING YOUR LIGHTS.**

To wash your lights, use plenty of warm soapy water and a soft cloth only (this prevents the surface from marking).

### Bezel removal

*HINT: When removing the bezel the filter does NOT have to be removed.*

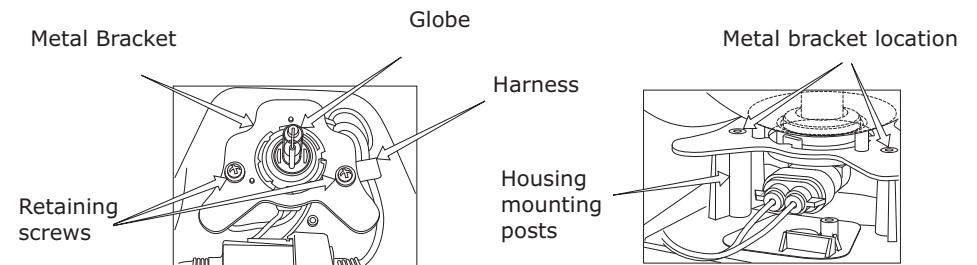
- Undo four retaining bolts. (using 4mm Allen key)
- Remove the bezel.
- Remove the lens/reflector assembly (lens and reflector will come out as one piece).

### Bulb removal- Halogen

- Remove old globe by gripping firmly and pulling out in the long axis direction of the globe
- DO NOT TOUCH NEW GLOBE WITH FINGERS, use a tissue or plastic sleeve
- Position the replacement globe legs firmly into the fixed electrodes of the globe holder, applying firm pressure towards the rear, simply push in the new bulb. AVOID jerking or twisting movements.

### CAUTION: DO NOT HANDLE THE GLASS SECTION OF BULB

Handle the base of bulb only, if glass gets dirty then clean with Isopropyl Alcohol or Methylated Spirits. Wear gloves and safety glasses in case of broken glass.



### Bulb removal- HID

- Undo two retaining screws..
- Remove metal bracket with bulb.
- Holding the bracket bulb assembly in one hand, turn the bulb anti-clockwise until it stops then withdraw it..
- Remove connector(s) from bulb by lifting the lock tab and pulling apart.

### IMPORTANT:

*When removing lens/reflector do not damage or lose the rubber seal that runs around the outside of the housing. Ensure it is fitted correctly over the housing lip to maintain sealing of the assembly, this will avoid water/dirt ingress. Incorrect fitment of seal avoids warranty.*

### Bulb and Bezel Refitting

- Refit connector(s) to bulb (ensure connector is locked in securely).
- Fit bulb to metal bracket by inserting and turning clockwise until stop is felt.
- Sit bracket/bulb assembly onto mounting posts inside the outer housing unit. Bracket has to be fully located sitting all the way down. (Ensure harness is held down by the bracket - HID models only).
- Fix the bracket with the two retaining screws using specified torque (see specification section).
- **IMPORTANT: Ensure lens seal is in place and undamaged.**
- Refit lens/reflector and bezel to (ensure Bling Ring is placed in reflector).

### Anti Theft Security System

We recommend three components to provide the best protection against theft of your lights:

1. Anti theft security bolt (optional item DL210SB)
2. Anti twist restraining bolts (not supplied) to prevent the lights from being spun off the bull bar.
3. Anti theft nuts (optional item ATN10MM) fitted to the bottom mount bolts.

### Assemble Instructions:

#### 1. Anti theft security bolt

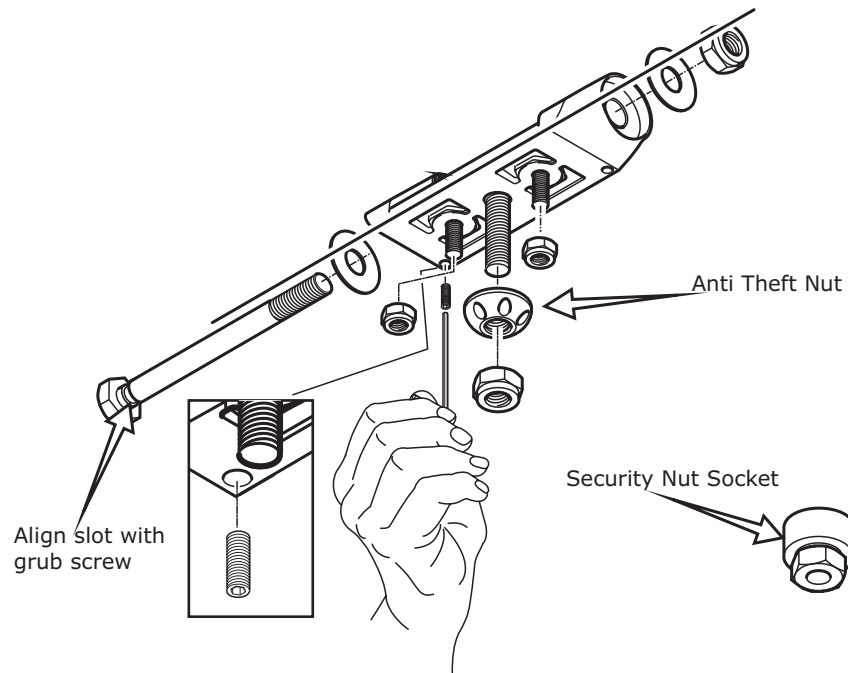
- Assemble bottom mount bolts to bracket.
- Assemble anti theft cross bolt, note: it can be inserted from either right or left side.
- Fasten the grub screw in line with the bolt slot using the hexagonal allen key. Note: the grub screw self taps the thread, as it engages with the slot ensure the bolt turns freely and is held in the bracket and cannot be removed.
- Fit Nyloc nuts and washers to the cross bolt and tighten to the specified torque.

#### 2. Optional anti twist restraining bolts

For additional security, anti twist restraining bolts can be used to prevent your lights from being twisted off the bull bar and also maintains the aiming position. Since each vehicle is subtly different, these bolts are not supplied with the kit.

#### 3. Fit anti theft nuts

Fit the anti theft nut first followed by the Nyloc nut as per the diagram.

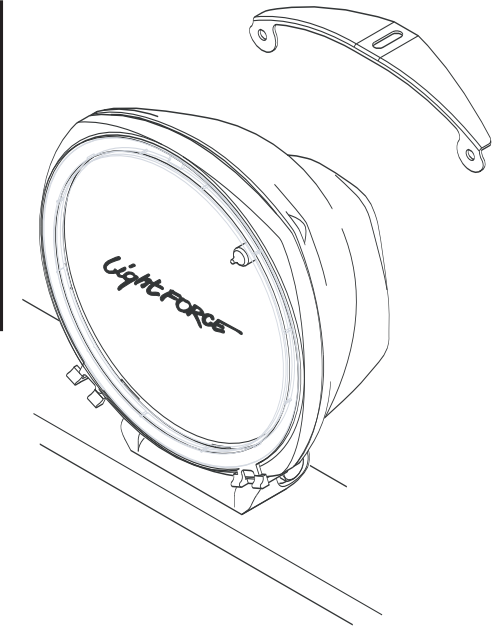


3

### Top Mounting – Stay Bracket

Your Genesis light can be used with an upper and/or side stay brackets for increased mounting rigidity, to fit a stay you will need to purchase the MBS accessory (see your authorised Lightforce dealer or email us at [info@lightforce.com](mailto:info@lightforce.com) for more information).

**Image denotes upper MBS bracket fitted only.**



### Electrical Connections

#### CAUTION:

IMPROPER INSTALLATION OF THE TERMINALS AND CONNECTOR WILL AFFECT THE RELIABILITY AND OPERATION OF YOUR LIGHTS.

DO NOT REMOVE WATERPROOF CONNECTOR FROM DRIVING LIGHT CABLE; THIS MAY LEAD TO WATER INGRESS AND VOID WARRANTY.

Your Genesis light is fitted with a waterproof electrical connector. Included is the mating connector fitted with a length of cable (loom adaptor) - for connection with existing wiring harness. This connector needs to be fitted directly to your driving light loom.



#### **HID wiring is sensitive to polarity; Genesis follows the European automotive wiring colour coding convention:**

Blue wire is Positive +, when connecting to a genuine Lightforce loom, the blue wire of the loom adaptor is connected to the white wire of the loom.

The brown wire is negative -, this must be connected to the black cable of the vehicles loom.

4

100

95

75

25

5

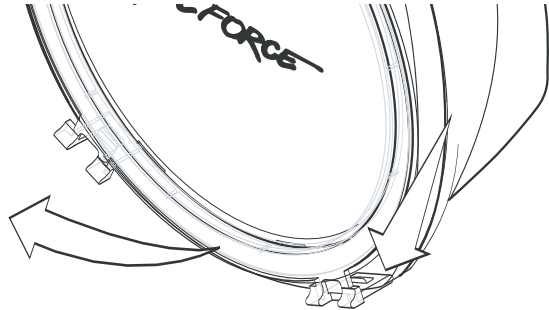
0

## Removing and Refitting the Filter

**CAUTION:** When handling the filter, take care of the surface as this can mark easily (for cleaning see 'General Care and Safety Tips' section).

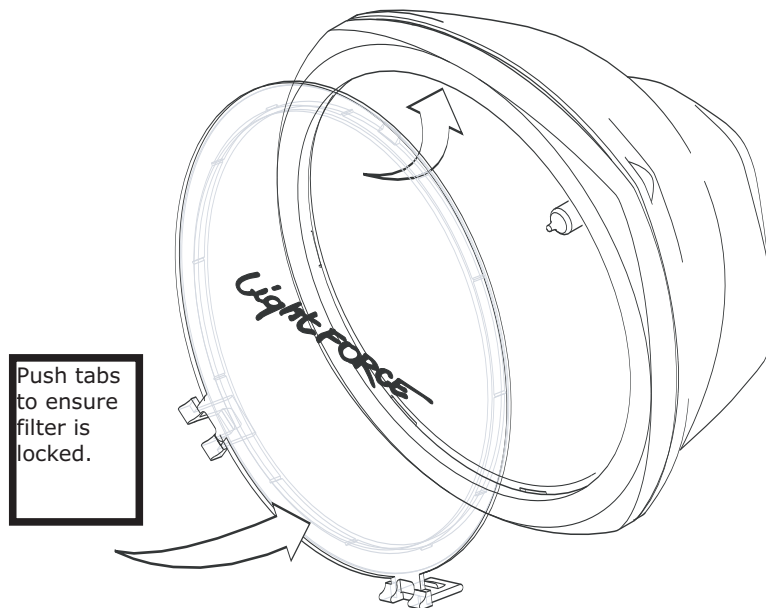
### Filter Removal

- Unlock each filter tab from the light by lifting the rear of the tab away from the bezel.
- Swing the base of the filter away from the light.
- The filter will drop down and away from the light.



### Refitting

- Genesis filters have a locating lug at the **top** and locking tabs at the **bottom**.
- Insert the locating lug into the recess found at the underside of the top of the bezel.
  - While pushing filter up, push the base of filter in towards the light.
  - Lock each filter tab in by pushing down on the forward facing lever tabs.



5

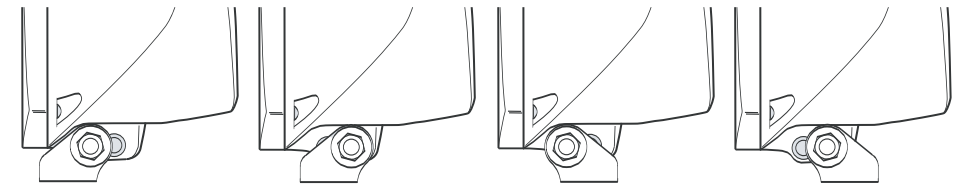
## Installation

### Tools Needed

- 17mm socket on ratchet x 2
- Torque wrench(s) to suit from 5Nm to 70Nm

### Mounting

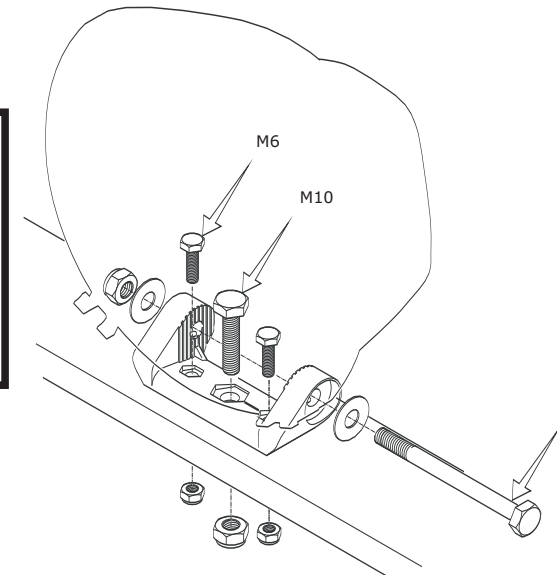
- Your Genesis light has four different mount positions (two cross-bolt holes and a reversible mount - see picture).
- Before fitting the mount, select the most suitable position for your application.



- Insert 40mm mounting bolt into bottom mount bracket.
- Attach bottom mount bracket to light housing and insert cross-bolt using one washer per side of mount.
- Tighten cross-bolt until firm (not tight).
- Fit light into position on light mount.
- Tighten bottom mounting bolt until firm.
- Approximately aim light (i.e. point straight ahead) then tighten both bolts as per recommended torque specifications (see specifications section).

### Mounting Options

**M6 Mounting Bolts** - If extra mounting security is needed or you have a problem with your light rotating there are two M6 mounting holes either side of the main M10 mounting bolt, these will accommodate any M6 bolt with an 11mm head size.



2

100

95

75

25

5

0