

INSTRUCTION DATA

PRODUCT: **SUPPORT-A-LIGHT**

VER: **1.0**

DATE: **OCTOBER 2007**



SUPPORT-A-LIGHT INSTRUCTIONS

Support-a-light bracket consists of 8 components as illustrated.

Tighten tri-screw (male) **(1)** securely through top plate **(2)** to shaft **(3)**. (**do not over tighten**).

There are 3 easy locating positions for the top plate on shaft – facing front, centre or back of vehicle.

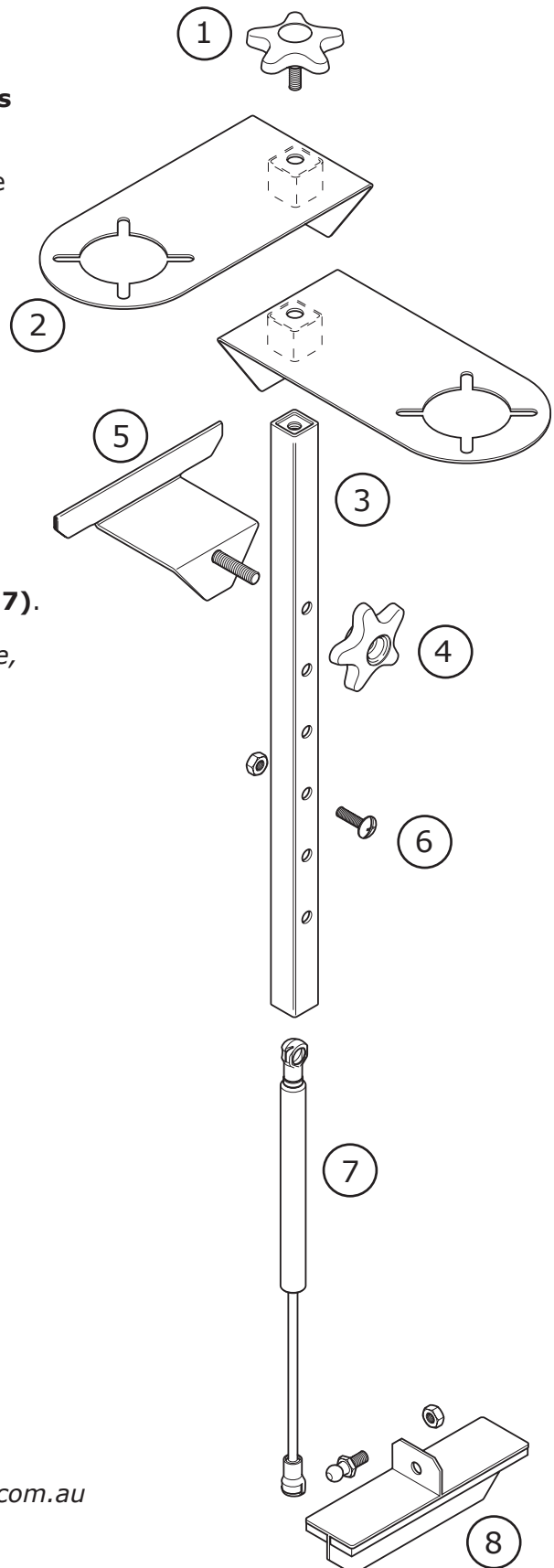
Secure top locating rail **(5)** through shaft **(3)** using tri-screw (female) **(4)** - **do not over tighten**.

Recommended locating hole is second hole from top of shaft.

Insert gas strut **(7)** into shaft **(3)** using strut locating bolt & nut **(6)** – recommended locating hole is second from bottom (adjust accordingly to size of window).

Attach locating bottom rail **(8)** to bottom of gas strut **(7)**.

If remote handle is too high or too low in window frame, you are able to adjust the height simply by altering the position of the top locating rail up or down in the top three holes of shaft and adjusting gas strut to suit accordingly.

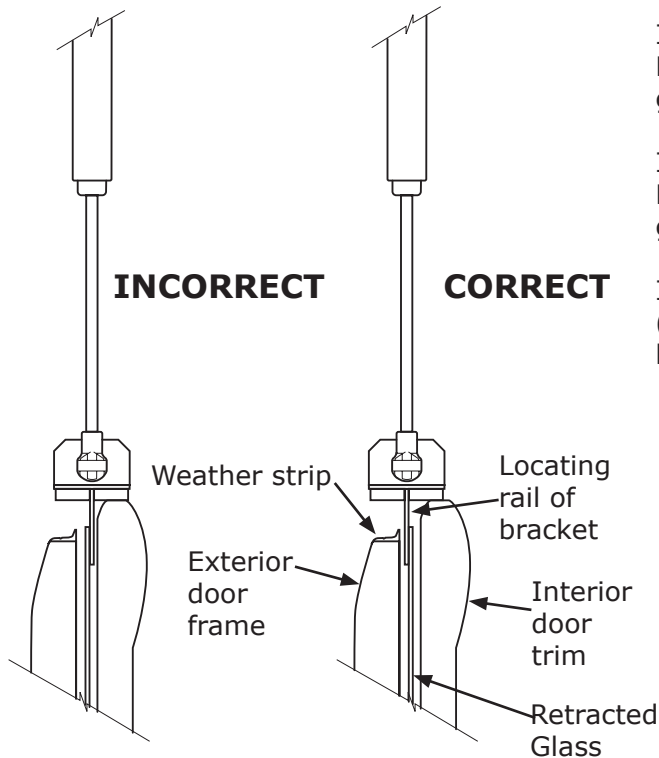


FELT INSTRUCTIONS

If top locating rail (5) is not firmly secured in window frame, attach the included felt (adhesive side down) to top locating rail to ensure a snug fit.

Additional Information available at www.supportalight.com.au

Window Locating Instructions



If interior trim is higher than exterior door frame:-
Place the bottom locating rail of bracket between
glass and external weather strip of door frame.

If exterior door frame is higher than interior trim:-
Place the bottom locating rail of bracket between
glass and interior trim.

If both the interior trim and exterior door frame
(weather strip) are level, place locating rail of
bracket on either side of the glass.